

### Whisper-Flex® Compensation Cable

MEGA Stock Code	Cable Wt. lbs/ft	Chain Trade Size Inches	Nom O.D Inches	Max. Hang Length FT	Nom. Loop Width Inches	O.E.M Cross Reference
WF 075	0.75	3/16	1.05	600	22	18-075-97 , 20417486
WF 10	1	3/16	1.15	600	24	18-010-97 , 20417557
WF 15	1.5	1/4	1.36	600	24	18,015-97 , 20417692
WF 20	2	1/4	1.50	520	26	18-020-97 , 20417693
WF 25	2.5	5/16	1.63	600	26	18-025-97 , 20417695
WF 30	3	5/16	1.77	505	26	18-030-97 , 20417559
WF 35	3.5	3/8	1.91	600	27	18-035-97 , 20417558
WF 40	4	3/8	2.03	530	27	18-040-97 , 20417742



Whisper-Flex compensation cable provides smooth operation at temperatures of 5° F to 140° F • -15° C to +60° C and, in the US, can be used for elevators with rated speeds of no greater than 700 ft/min • 3.56 m/sec (per ASME A17.1 - 2013, Rule 2.21.4.2 Compensating Rope Tie-Down).

Support brackets, U-bolts, S-hooks, and heavy duty stain- less steel grips specifically designed for Whisper-Flex cable must be used to ensure safe installations.

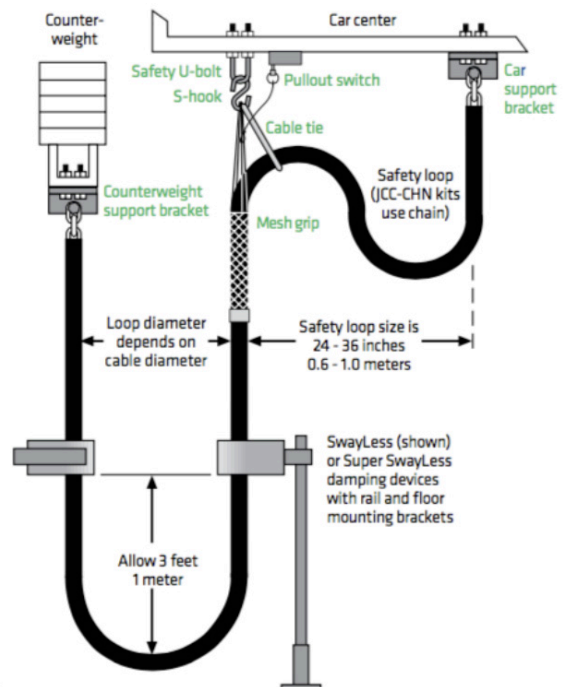
Super Swayless damping devices are recommended to minimize cable sway for car speeds above 350 ft/min • 1.8 m/sec. See Compensation Cable Accessories pages for information on these devices.

This diagram shows the approximate placement of components for a Whisper-Flex cable installation. Refer to the Compensation Cable Installation Guide for exact instructions on installation procedures.

#### Mega Elevator can help you determine which size of Whisper-Flex cable to use.

Call 1-718-361-5584 or email [sales@MegaElevatorParts.us](mailto:sales@MegaElevatorParts.us) and have the following information ready:

- Number of hoist ropes per car
- Outer diameter of the hoist ropes
- Stranding of the hoist ropes (i.e. 8x19, 8x25...)
- Car roping (i.e. 1:1, 2:1, other...)
- Number of Whisper-Flex per car.
- Length of Whisper-Flex needed.



Note: Product photos are for reference only.

### Stedi-Flex® Wide-Loop Compensation Cable

MEGA Stock Code	Cable Wt. lbs/ft	Chain Trade Size Inches	Nom O.D Inches	Max. Hang Length FT	Nom. Loop Width Inches	O.E.M Cross Reference
SFC 15	1.5	1/4	1.39	600	46	18-L15-97 , 20417741
SFC 20	2	1/4	1.56	520	47	18-L20-97 , 20417751
SFC 25	2.5	5/16	1.67	600	48	18-L25-97 , 20417744
SFC 30	3	5/16	1.82	505	49	18-L30-97 , 20417752
SFC 35	3.5	3/8	1.91	600	50	18-L35-97 , 20417753
SFC 40	4	3/8	2.04	530	50	18-L40-97 , 20417743



Stedi-Flex compensation cable is a wide-loop version of the standard Whisper-Flex compensation cable. Because of its wider natural loop, Stedi-Flex cable can be positioned closer to the car's centerline. This improves car balance and ride quality for installations with side counterweights and long hang lengths over 400 ft.

It provides smooth operation at temperatures of 23° F to 140° F • -5° C to +60° C and can be used for elevators with rated speeds up to 700 ft/min • 3.56 m/sec (per ASME A17.1 - 2013, Rule 2.21.4.2 Compensating Rope Tie-Down).

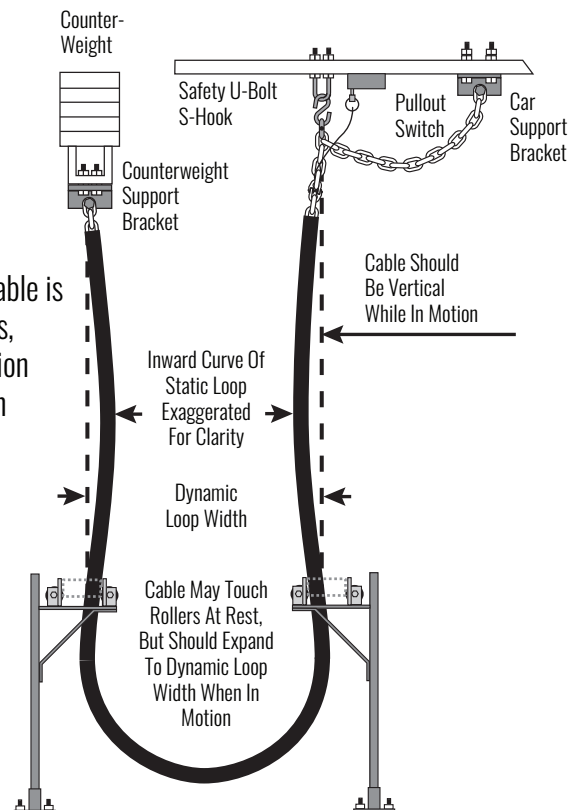
Support brackets, U-bolts, S-hooks and heavy-duty couplings specifically designed for Stedi-Flex cable must be used to ensure safe installations. Installation hardware (JCC-XX-CHN) is recommended for use with Stedi-Flex.

Super SwayLess (ELHWF-RDD4) damping device is recommended for use with Stedi-Flex to minimize cable sway for car speeds above 350 ft/min (1.8 m/sec).

#### Stedi-Flex Installation & The Dynamic Loop Width

When choosing Stedi-Flex, give special consideration to the dynamic loop width. The dynamic loop width is the width of the loop when the cable is in motion and will vary with car speed, distance between support points, and other factors. The static loop width will be up to 10" smaller. Position the attachment points and damping devices per the dynamic loop width in the above table. At rest, the cable should touch the damping device inside rollers; in motion, the loop will expand.

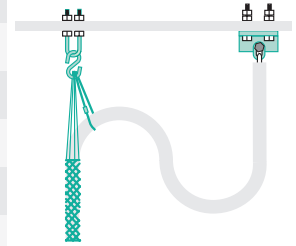
**Stedi-Flex is NOT a one-for-one replacement for Whisper-Flex.** Pit dimension and possible obstructions should be considered when specifying Stedi-Flex. Counterweight and car attachment points should be spaced to match the dynamic loop width. Refer to the Compensation Cable Installation Guide for exact instructions on installation procedures.



Note: Product photos are for reference only.

### Install Kits for Whisper-Flex in Standard Pits

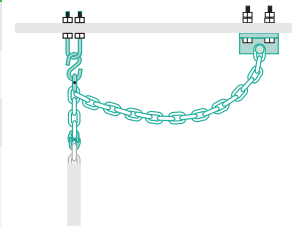
MEGA Stock Code	For Use on Cables	U-bolt Size	S-hook Part No.	Mesh grip Part No.	Electrical Tape Part No.
ELKJCC-10	WF 075 & WF 10	3/8 in.	79-011	024-20-1504	16-005
ELKJCC-15	WF 15	3/8 in.	79-013	024-20-1470	16-005
ELKJCC-20	WF 20	3/8 in.	79-013	024-20-1510	16-005
ELKJCC-25	WF 25	3/8 in.	79-016	024-20-1510	16-005
ELKJCC-30	WF 30	3/8 in.	79-016	024-20-1499	16-005
ELKJCC-35	WF 35	3/8 in.	79-016	024-20-1499	16-005
ELKJCC-40	WF 40	3/8 in.	79-016	024-20-1542	16-005



JCC installation kits contain two Support Brackets (includes grade 8 nuts, bolts, lockwashers and hardened washers), one U-bolt (includes nuts and washers), one S-hook, one mesh grip, electrical tape and one cable tie.

### Install Kits for Steadi-Flex & Whisper-Flex in Shallow Pits

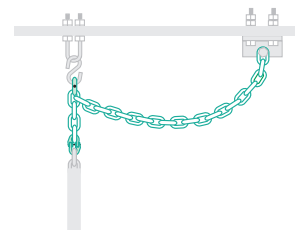
MEGA Stock Code	For Use on Cables	U-bolt Size	S-hook Part No.	Coupling qty and Size	Chain Size
ELKJCC-10-CHN	WF 075 & WF10	3/8 in.	79-011	(1) 9/32 in.	5/16in.
ELKJCC-20-CHN	WF 15 & 20 SFC 15 & 20	3/8 in.	79-013	(1) 9/32 in.	5/16in.
ELKJCC-30-CHN	WF 25 & 30 SFC 25 & 30	3/8 in.	79-016	(2) 9/32 in.	3/8in.
ELKJCC-40-CHN	WF 35 & 40 SFC 35 & 40	3/8 in.	79-016	(1) 9/32 in., (1) 3/8 in.	3/8in.



JCC-CHN installation kits contain two Support Brackets (includes grade 8 nuts, bolts, lockwashers and hardened washers), one U-bolt (includes nuts and washers) and one S-hook. JCC-CHN kits also include one or two couplings and a 4 ft. length of chain to form the safety/adjustment loop.

### Coupling Kits for Shallow Pits

MEGA Stock Code	For Use on Compensation	Chain Size	Coupling qty and size
ELKWF-20-CPLG	WF 075/SFC 15 & 20	5/16 in.	(1) 9/32 in.
ELKWF-30-CPLG	WF/SFC 25 & 30	3/8 in.	(2) 9/32 in.
ELKWF-40-CPLG	WF/SFC 35 & 40	3/8 in.	(1) 9/32 in., (1) 3/8 in.



Coupling kits consist of the chain and coupling(s) from the JCC-CHN installation kits. They DO NOT include mounting brackets, U-bolts or S-hook.

**IMPORTANT NOTE ON SAFETY AND WARRANTY FOR WHISPER-FLEX:** These components are specifically designed for the installation of Whisper-Flex cables. USE OF OTHER HARDWARE COULD SERIOUSLY JEOPARDIZE THE SAFETY OF THE WHISPER-FLEX CABLE INSTALLATION AND WILL VOID ANY WARRANTY.

**Note:** Product photos are for reference only.

### Stainless Steel Mesh Grip – Double Eye/Double Weave/Closed Mesh

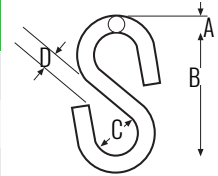
MEGA Stock Code	For Use on Cables	Eye Length Inches	Nom. Mesh Length Inches	Maximum Load lbs
ELH024-20-1504	WF 075 & WF 10	12	14	1200
ELH024-20-1470	WF 15	12	15	1640
ELH024-20-1510	WF 20, WF 25	12	17	1660
ELH024-20-1499	WF 30, WF 35	12	19	1800
ELH024-20-1542	WF 40	12	21	1800



Maximum load is based on minimum breaking strength with a 5:1 safety factor.

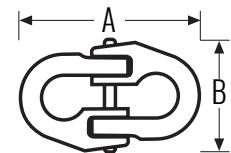
### Steel S-Hook – One Required – Available for Individual Replacement

MEGA Stock Code	For Use on Cables	Dim. A Inches	Dim. B Inches	Dim. C Inches	Dim. D Inches	Yield lbs Strength
ELH79-011	WF 075, WF 10	3/8 in.	2-3/8	3/4	17/32	1200
ELH79-013	WF/SFC 15 to WF/SFC 20	3/8 in.	2-3/4	3/4	1/2	2400
ELH79-016	WF/SFC 25 to WF/SFC 40	17/31 in.	3	1.25	19/32	4800



### Coupling – One or Two Required for JCC-CHN Installation

MEGA Stock Code	For Use on Cables	For Chain Size Inches	Dim. A Inches	Dim. B Inches	Working Load Limit lbs
ELH79-116	WF 075 to 30	9/32	2-17/32	2-17/32	4300
ELH79-117	WF/SFC 35 to 40	3/8	3-7/16	3-7/16	8800



**IMPORTANT NOTE ON SAFETY AND WARRANTY FOR WHISPER-FLEX AND STEADI-FLEX:** These components are specifically designed for the installation of Whisper-Flex/Steady-Flex cables. ONLY THE S-HOOK, MESH GRIP AND COUPLINGS ARE AVAILABLE SEPARATELY. USE OF OTHER HARDWARE COULD SERIOUSLY JEOPARDIZE THE SAFETY OF THE WHISPER-FLEX OR STEADI-FLEX CABLE INSTALLATION AND WILL VOID ANY WARRANTY.

Note: Product photos are for reference only.

### SwayLess® Damping Device for Whisper-Flex with Speeds Up to 500 ft/min

MEGA Stock Code	Overall Dimensions	Center Opening
ELKWF-SRD	6-1/4 x 3-15/16 x 2-3/4 in.	2-3/4 in.

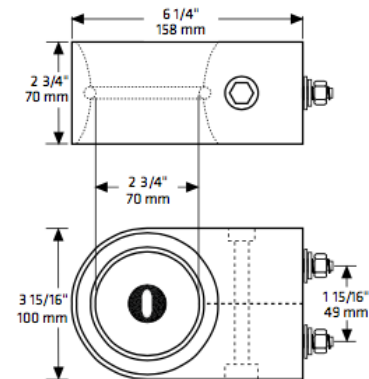
Two SwayLess devices are required per installation. Use only with Whisper-Flex cables. The WF-SRD can be used for Whisper-Flex sizes WF075 to WF30.

WF-SRD SwayLess damping devices are recommended for maintaining smooth operation of Whisper-Flex compensation cables for speeds of up to 500 feet/min • 2.54 m/sec.

The purpose of the WF-SRD is to dampen any oscillation or cable sway that may be generated by cable motion at higher speeds. The damping device is not usually required but can be used for speeds less than 350 feet/min • 1.78 m/sec. Proper installation requires that compensation cable should not contact the ring of the damping device when the cable is stationary. Cable must be centered within the holes.

As the car and counterweight move, the damping device keeps the compensation cable in position for optimum operation.

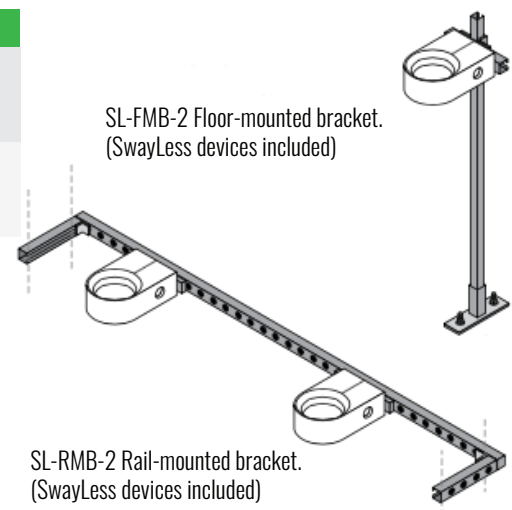
For shallow pits not allowing three feet height above cable loop, please call us for further assistance.



### Swayless® Mounting Brackets

MEGA Stock Code	Overall Dimensions
ELKSL-FMB-2	(2) floor-mounted brackets, adjustable to 48 in. • 1.2 m height, includes (2) SwayLess devices
ELKSL-RMB-2	Counterweight rail-mounted bracket, adjustable to 60 in. • 1.5 m width, includes (2) SwayLess

These brackets are specially designed to help you to quickly and easily install SwayLess devices off the counterweight guide rails and off the pit floor. They come with all the necessary hardware, including nuts, bolts and anchors.



Note: Product photos are for reference only.

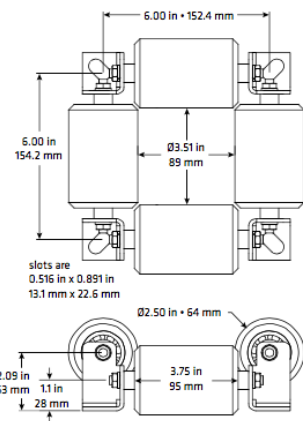
### Super Swayless® Damping Device for Speeds Up to 700 ft/min

MEGA Stock Code	Application	Overall Dimensions	Mounting Hole Dia. In.
ELHWF-RDD4	Whisper-Flex, Steadi-Flex	8 x 8 x 3.1 · 203 x 203 x 79	1/2 · 13

The new Super SwayLess WF-RDD4 is designed for use on any size Whisper-Flex® compensating cable. It is recommended for smooth compensating cable operation for speeds up to 700 feet/min (3.56 m/sec).

Larger free-turning nylon rollers have been engineered with a bigger shaft for increased durability. The increased size of the rollers also permits quieter operation. Grease-filled high-strength bearings are built to handle the higher pressures and impact of Whisper-Flex® Cables.

This enhanced design uses the formed steel mounting brackets from the earlier version of the Super SwayLess for simpler installation and cushioned isolation pads to reduce vibration noise. Two Super SwayLess devices are required per cable. Mounting brackets are sold separately (below).

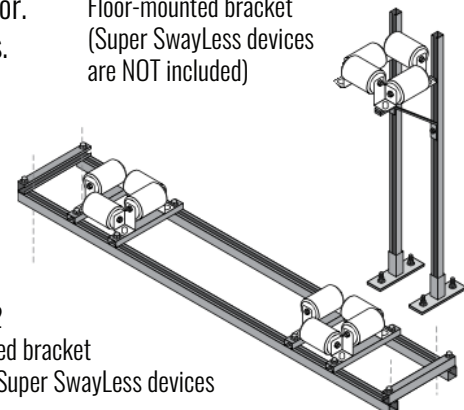


### Super Swayless® Mounting Brackets

MEGA Stock Code	Description
ELKSSL-FMB-48	(2) floor-mounted brackets, adjustable to 48 in. • 1.2 m height, order WF-RDD4 separately
ELKSSL-RMB-72	Counterweight rail-mounted bracket, adjustable to 72 in. • 1.8 m width, order WF-RDD4
ELKSSL-RMB-2	Counterweight rail-mounted bracket, adjustable to 72 in. • 1.8 m width, includes (2) WF-RDD4

These brackets are specially designed to help you to quickly and easily install Super Sway- Less devices off the counterweight guide rails and off the pit floor. They come with all the necessary hardware, including nuts, bolts and anchors. Two Super SwayLess damping devices are required per installation. These devices are sold separately (above).

SSL-FMB-48  
Floor-mounted bracket  
(Super SwayLess devices  
are NOT included)

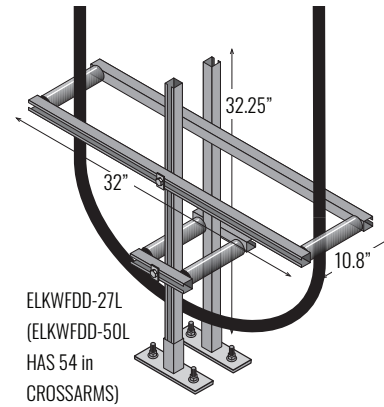


SSL-RMB-2  
Rail-mounted bracket  
INCLUDES Super SwayLess devices

Note: Product photos are for reference only.

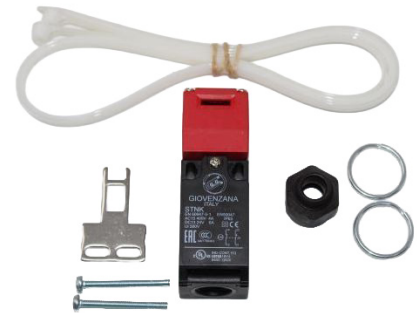
### Shallow SwayLess Damping Device For Speed Up to 700 ft/min

MEGA Stock Code	Description
ELKWFDD-27L	ShallowSwayLess kit, for Whisper-Flex cable with maximum loop of 27 inches
ELKWFDD-50L	ShallowSwayLess kit, for Steadi-Flex cable with maximum loop of 50 inches



### Pullout Switch Installation Kit

MEGA Stock Code	Description
ELKWF-POSK	Pullout switch installation kit, which includes one pullout switch, two split O-rings, two cable ties, two 4 x 40 mm pan-head screws, two 4 mm hex nuts, four 4 mm flat washers and two 4 mm lock washers

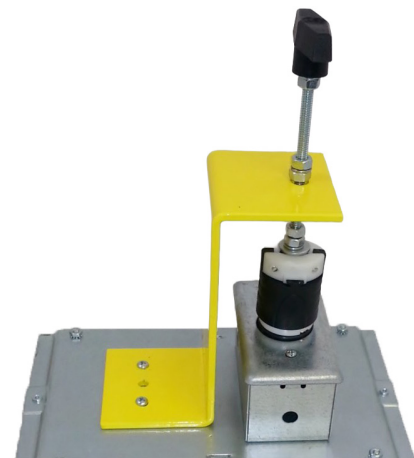


The pullout switch is UL and C-UL listed and conforms to EN60947-5-1 and EN50047.

The switch enclosure meets IP65.

### Elevator Top Exit Switch

MEGA Stock Code	Description
ETES	Emergency Top Exit Switch. Heavy duty bracket attaches to top exit door; electrical box attaches to car top. Fully adjustable to accommodate uneven surfaces on car top. When door hatch is opened, the plug is pulled and power is cut off to the elevator. Receptacle/plug do not have standard entry points so



Note: Product photos are for reference only.

### Whisper-Flex and Steadi-Flex strip kit

MEGA Stock Code	Description
WF-STRP	Strip kit, with instructions

This kit includes angle mounting bracket (already assembled), clamps, nippers, utility knife, cable jacket cutter, hacksaw and gloves for use in preparing the end of all Draka compensation cables. Carrying case



Note: Product photos are for reference only.