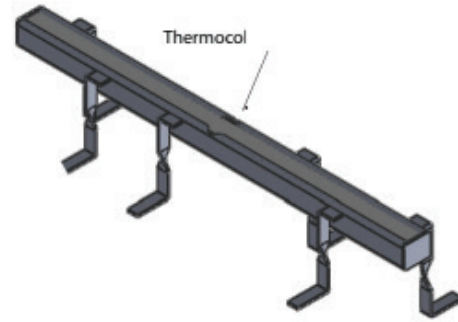


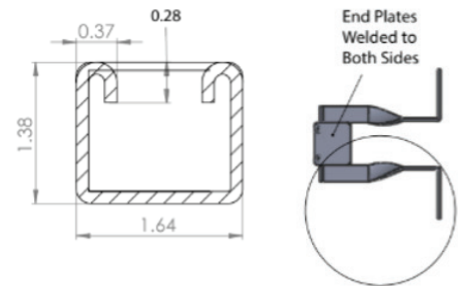
Elevator Guide Rail Inserts

- Designed for maximum strength
- Easy installation for guide rail
- 12 Ga. steel, with welded legs and end caps
- Grey enamel finish
- Special sizes and designs are available upon request.



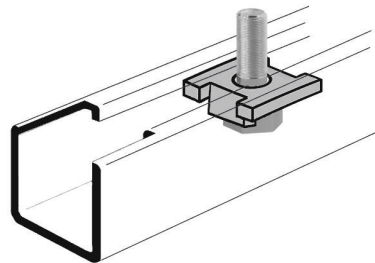
Masonry wall inserts

MEGA Stock Code	Size	Legs	Dim. "A"
NBI-18	18"	4	18"
NBI-24	24"	6	24"
NBI-36	36"	9	36"
NBI-48	48"	12	48"
NBI-72	72"	17	72"



Rail Insert Washers

- RIW-12 for use with 1/2" bolts
- RIW-58 for use with 5/8" bolts



Note: Product photos are for reference only.